

STANDBY GENERATORS

10 kW / 15 kW / 20 kW

AIR-COOLED GENERATOR SETS

Standby Power Rating

Model 006032-0 - 10 kW 60Hz

Model 006033-0 - 15 kW 60Hz

Model 006034-0 - 20 kW 60Hz



INCLUDES

- PrecisionPower™ Electrical Technology
- Two Line LCD Tri-lingual Digital Controller
- Electronic Governor
- External Main Circuit Breaker & System Status LED Indicators
- Flexible Fuel Line Connector
- GFCI Duplex Outlet
- Installed Wireless Remote Monitor
- Composite Mounting Pad
- Aluminum Enclosure
- Base Fascia
- Natural Gas or LP Gas Operation
- 5 Year Limited Warranty
- UL 2200 Listed

FEATURES

- **INNOVATIVE DESIGN & PROTOTYPE TESTING** are key components of our success in “IMPROVING POWER BY DESIGN.” But it doesn’t stop there. Total commitment to component testing, reliability testing, environmental testing, destruction and life testing, plus testing to applicable CSA, NEMA, EGSA, and other standards, allows you to choose Honeywell generators with the confidence that these systems will provide superior performance.
- **TEST CRITERIA**
 - ◆ PROTOTYPE TESTED
 - ◆ SYSTEM TORSIONAL TESTED
 - ◆ NEMA MG1-22 EVALUATION
 - ◆ MOTOR STARTING ABILITY
- **PrecisionPower™ ELECTRICAL TECHNOLOGY** Superior harmonics and sine wave form produce less than 5% Total Harmonic Distortion for utility quality power. This allows confident operation of sensitive electronic equipment and micro-chip based appliances, such as variable speed HVAC.
- **SOLID-STATE, FREQUENCY COMPENSATED VOLTAGE REGULATION** This state-of-the-art power maximizing regulation system is standard on all Honeywell models. It provides optimized FAST RESPONSE to changing load conditions and MAXIMUM MOTOR STARTING CAPABILITY by electronically torque-matching the surge loads to the engine. An unequalled ±1% voltage regulation.
- **SINGLE SOURCE SERVICE RESPONSE** from our extensive dealer network provides parts and service know-how for the entire unit, from the engine to the smallest electronic component.
- **Honeywell TRANSFER SWITCHES** The Honeywell generator line offers its own transfer systems and controls for total system compatibility.

10 kW / 15 kW / 20 kW

AIR-COOLED GENERATOR SETS

ENGINE

<ul style="list-style-type: none">• Generac OHVI® Design• "Spiny-lok" cast iron cylinder walls• Electronic ignition/spark advance• Full pressure lubrication system• Low oil pressure shutdown system• High temperature shutdown	<p>Maximizes engine "breathing" for increased fuel efficiency. Plateau honed cylinder walls and plasma moly rings help engine run cooler, reducing oil consumption. Because heat is the primary cause of engine wear, the OHVI has a significantly longer life than competitive engines.</p> <p>Rigid construction and added durability provide long engine life.</p> <p>These features combine to assure smooth, quick starting every time.</p> <p>Superior lubrication to all vital bearings means better performance, less maintenance and significantly longer engine life. Now featuring a 2 year/200 hour oil change interval.</p> <p>Superior shutdown protection prevents catastrophic engine damage due to low oil.</p> <p>Prevents damage due to overheating.</p>
---	---

GENERATOR

<ul style="list-style-type: none">• Revolving field• Skewed rotor (10 kW) Skewed stator (15 & 20 kW)• Displaced phase excitation• Automatic voltage regulation• UL 2200 Listed	<p>Allows for smaller, light weight unit that operates 25% more efficiently than a revolving armature generator.</p> <p>Produces a smooth output waveform for compatibility with electronic equipment.</p> <p>Maximizes motor starting capability.</p> <p>Regulates the output voltage to $\pm 1\%$ prevents damaging voltage spikes.</p> <p>For your safety</p>
--	---

TRANSFER SWITCH

Sold separately

CONTROLS

<ul style="list-style-type: none">• Manual/Auto/Off switch• Utility voltage sensing• Generator voltage sensing• Utility interrupt delay• Engine warm-up• Engine cool-down• Programmable seven day exerciser• Smart battery charger• Main Line Circuit Breaker• Electronic governor	<p>Selects the operating mode.</p> <p>Constantly monitors utility voltage, setpoints 60% dropout, 80% pick-up, of standard voltage.</p> <p>Constantly monitors generator voltage to ensure the cleanest power delivered to the home.</p> <p>Prevents nuisance start-ups of the engine, adjustable 10-30 seconds.</p> <p>Ensures engine is ready to assume the load, setpoint approximately 5 seconds.</p> <p>Allows engine to cool prior to shutdown, setpoint approximately 1 minute.</p> <p>Operates engine to prevent oil seal drying and damage between power outages by running the generator for 12 minutes every week.</p> <p>Delivers charge to the battery only when needed at varying rates depending on outdoor air temperature.</p> <p>Protects generator from overload.</p> <p>Maintains constant 60 Hz frequency.</p>
---	---

UNIT

<ul style="list-style-type: none">• Aluminum weather protective enclosure• Enclosed critical grade muffler• Small, compact, attractive	<p>Provides protection against mother nature. Hinged key locking roof panel for security. Lift-out front for easy access to all routine maintenance items. Electrostatically applied textured epoxy paint for added durability.</p> <p>Quiet, critical grade muffler is mounted inside the unit to prevent injuries.</p> <p>Makes for an easy, eye appealing installation.</p>
--	--

INSTALLATION SYSTEM

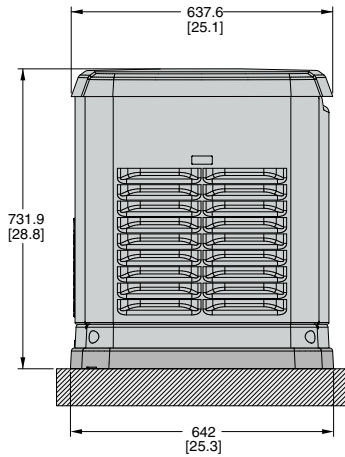
<ul style="list-style-type: none">• 1" Flexible Fuel Line Connector• Composite Mounting Pad	Easy Installation
--	-------------------

GENERATOR	Model 006032-0 (10 kW)	Model 006033-0 (15 kW)	Model 006034-0 (20 kW)
Rated Maximum Continuous Power Capacity (LP)	10,000 Watts*	15,000 Watts*	20,000 Watts*
Rated Maximum Continuous Power Capacity (NG)	9,000 Watts*	15,000 Watts*	18,000 Watts*
Rated Voltage	240	240	240
Rated Maximum Continuous Load Current – 240 Volts	41.6 LP/37.5 NG	62.5 LP/62.5 NG	83.3 LP/75 NG
Total Harmonic Distortion	Less than 5%	Less than 5%	Less than 5%
Main Line Circuit Breaker	45 Amp	65 Amp	100 Amp
Phase	1	1	1
Number of Rotor Poles	2	2	2
Rated AC Frequency	60Hz	60Hz	60Hz
Power Factor	1	1	1
Battery Requirement (not included)	Group 26R 12 Volts and 525 Cold-cranking Amperes Minimum		
Unit Weight (Pounds/Kilos)	353/150	421/191	451/204.6
Dimensions (L x W x H) Inches/mm	48 x 25 x 29 (1218 x 638 x 732)		
Sound output in dB(A) at 23 ft. with generator operating at normal load	62	66	66
Sound output in dB(A) at 23 ft. with generator in WhisperCheck™ low speed exercise mode	60	60	60

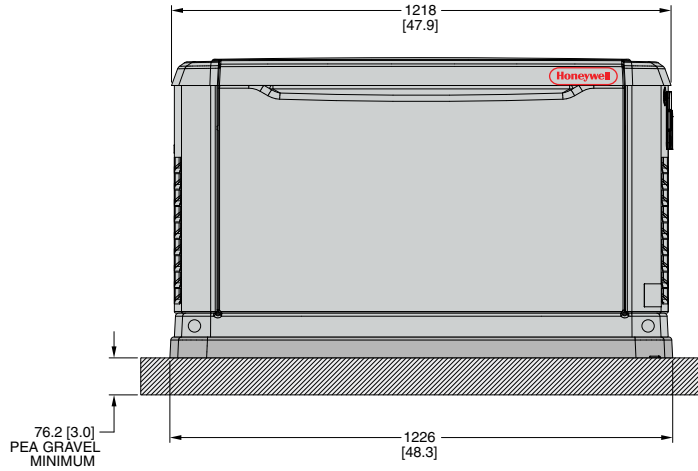
ENGINE	Model 006032-0 (10 kW)	Model 006033-0 (15 kW)	Model 006034-0 (20 kW)
Type of Engine	GENERAC OHVI	GENERAC OHVI V-TWIN	GENERAC OHVI V-TWIN
Number of Cylinders	1	2	2
Displacement	530cc	992cc	999cc
Cylinder Block	Aluminum w/Cast Iron Sleeve	Aluminum w/Cast Iron Sleeve	Aluminum w/Cast Iron Sleeve
Valve Arrangement	Overhead Valve	Overhead Valve	Overhead Valve
Ignition System	Solid-state w/Magneto	Solid-state w/Magneto	Solid-state w/Magneto
Governor System	Electronic	Electronic	Electronic
Compression Ratio	9.5:1	9.5:1	9.5:1
Starter	12 Vdc	12 Vdc	12 Vdc
Oil Capacity Including Filter	Approx. 1.7 Qts./1.6L	Approx. 1.9 Qts./1.8L	Approx. 1.9 Qts./1.8L
Operating RPM	3,600	3,600	3,600
Fuel Consumption			
Natural Gas	cu.ft./hr.		
	1/2 Load		
	Full Load		
Liquid Propane	ft ³ /hr (gal/hr) [Liter/hr]		
	1/2 Load		
	Full Load		
	102	183	206
	156	261	294
	46 (1.25) [4.73]	59 (1.61) [6.09]	69 (1.89) [7.15]
	70 (1.93) [7.31]	94 (2.57) [9.73]	106 (2.90) [10.98]
Required fuel pressure to generator fuel inlet at all load ranges - 5 to 7 inches of water column for natural gas, 10 to 12 inches of water column for LP gas For Btu content, multiply ft ³ /hr x 2520 (LP) or ft ³ /hr x 1000 (NG)			

CONTROLS	
2-Line Plain Text LCD Display	Simple user interface for ease of operation
Mode Switch	
-Auto	Automatic Start on Utility failure. 7 day exerciser
-Off	Stops unit. Power is removed. Control and charger still operate.
-Manual/Test (start)	Start with starter control, unit stays on. If utility fails, transfer to load takes place.
Programmable start delay between 10-30 seconds	Standard
Engine Start Sequence	Cyclic cranking: 16 sec. on, 7 rest (90 sec. maximum duration)
Engine Warm-up	5 seconds
Engine Cool-Down	1 minute
Starter Lock-out	Starter cannot re-engage until 5 sec. after engine has stopped.
Smart Battery Charger	Standard
Automatic Voltage Regulation with Over and Under Voltage Protection	Standard
Automatic Low Oil Pressure Shutdown	Standard
Overspeed Shutdown	Standard, 72Hz
High Temperature Shutdown	Standard
Overcrank Protection	Standard
Safety Fused	Standard
Failure to Transfer Protection	Standard
Low Battery Protection	Standard
50 Event Run Log	Standard
Future Set Capable Exerciser	Standard
Incorrect Wiring Protection	Standard
Internal Fault Protection	Standard
Common External Fault Capability	Standard

Rating definitions - Standby: Applicable for supplying emergency power for the duration of the utility power outage. No overload capability is available for this rating. (All ratings in accordance with BS5514, ISO3046 and DIN6271). * Maximum wattage and current are subject to and limited by such factors as fuel Btu content, ambient temperature, altitude, engine power and condition, etc. Maximum power decreases about 3.5 percent for each 1,000 feet above sea level; and also will decrease about 1 percent for each 12° C (10° F) above 15.5° C (60° F).



LEFT SIDE VIEW



FRONT VIEW

Generac Power Systems, Inc.

S45 W29290 Hwy. 59

Waukesha, WI 53187

Tel: 1-855-GEN-INFO

honeywellgenerators.com

0190520SBY-A

November 2010

© Generac Power Systems, Inc. All rights reserved.

Specifications subject to change without notice.

The Honeywell Trademark is used under license from Honeywell International Inc.

Honeywell International Inc. makes no representation or warranties with respect to this product.

Honeywell